



1 9 9 2
CHRYSLER

NEW YORKER FIFTH AVENUE • NEW YORKER SALON

CONTENTS

SAFETY
The advantage of your life.....4

ENGINEERING
Advanced technology for the '90s.....5

NEW YORKER FIFTH AVENUE
Engineered for luxury.....10

NEW YORKER SALON
Engineered for value.....16

QUALITY ASSURANCE
Details that make the difference.....20

FEATURES, OPTIONS, COLORS, INTERIORS.....22

SPECIFICATIONS
Standard and optional equipment.....24

ABOUT THIS CATALOG. Since the time of printing, some of the information you'll find in this catalog may have been updated. Ask your dealer for details.

Some of the equipment shown or described throughout this catalog is available at extra cost.

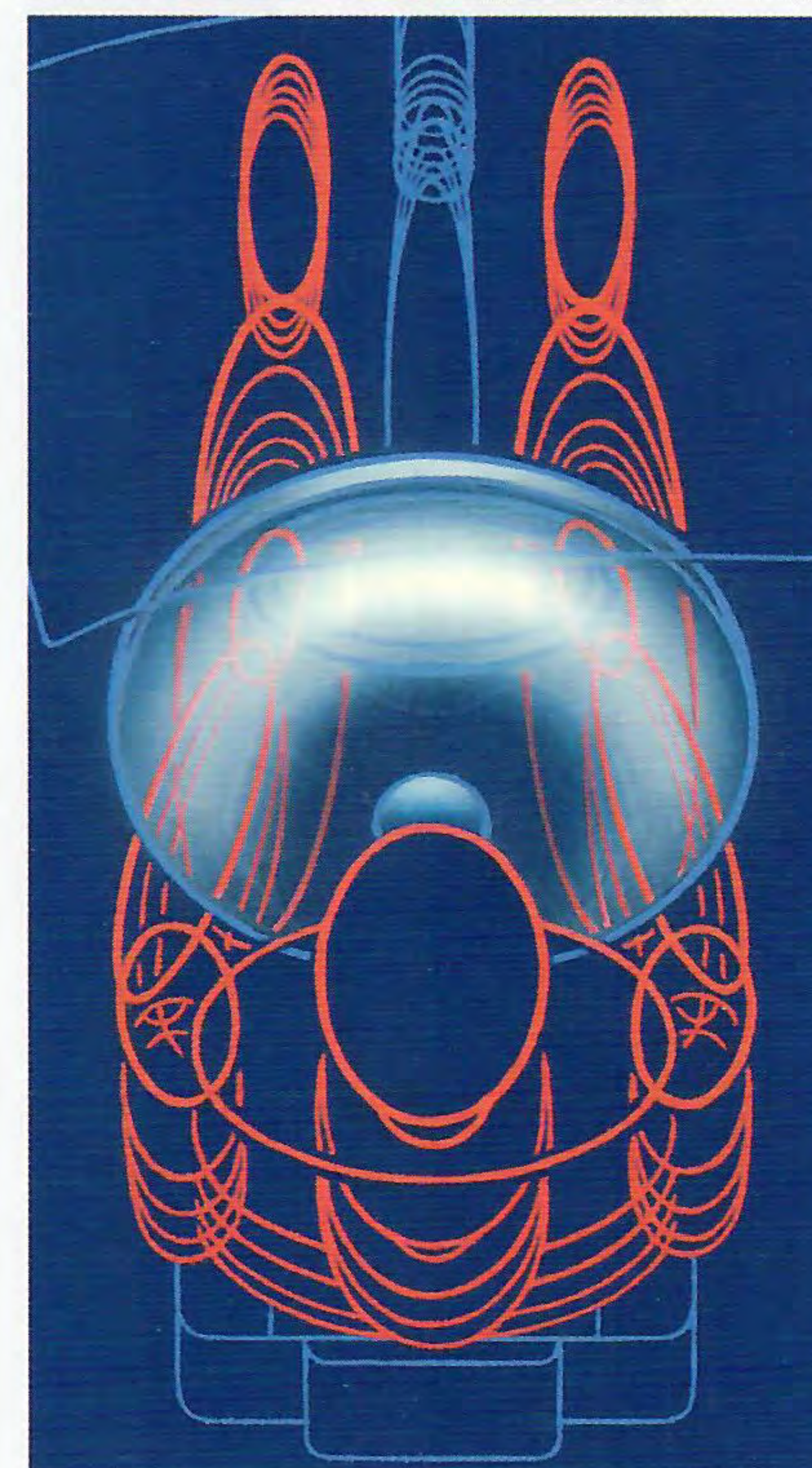


New Yorker Fifth Avenue, shown in Midnight Blue Metallic Clear Coat.

Chrysler New Yorkers. The perfect balance between self-indulgence and common sense.

When it comes to engineering, Chrysler's reputation as a technological pioneer stands alone. Today, safety and quality are the governing engineering priorities for every Chrysler automobile. And our determination to engineer *luxury* automobiles is as strong as our commitment to safety... the perfect balance between self-indulgence and common sense.

The result of our commitment to safety engineering is an impressive list of protective advantages for drivers and passengers of Chrysler-built automobiles. Those advantages start with the driver-side air bag that is standard on *every*



Chrysler Division passenger car Chrysler Corporation builds in the U.S. But air bags are only the beginning of our commitment to safety engineering. And the end is nowhere in sight.

The same tradition of engineering excellence that has made Chrysler products safer has also advanced their quality...through the continued technological improvement of materials and manufacturing methods, and through the comfort-oriented engineering that has made the name of Chrysler synonymous with luxury.

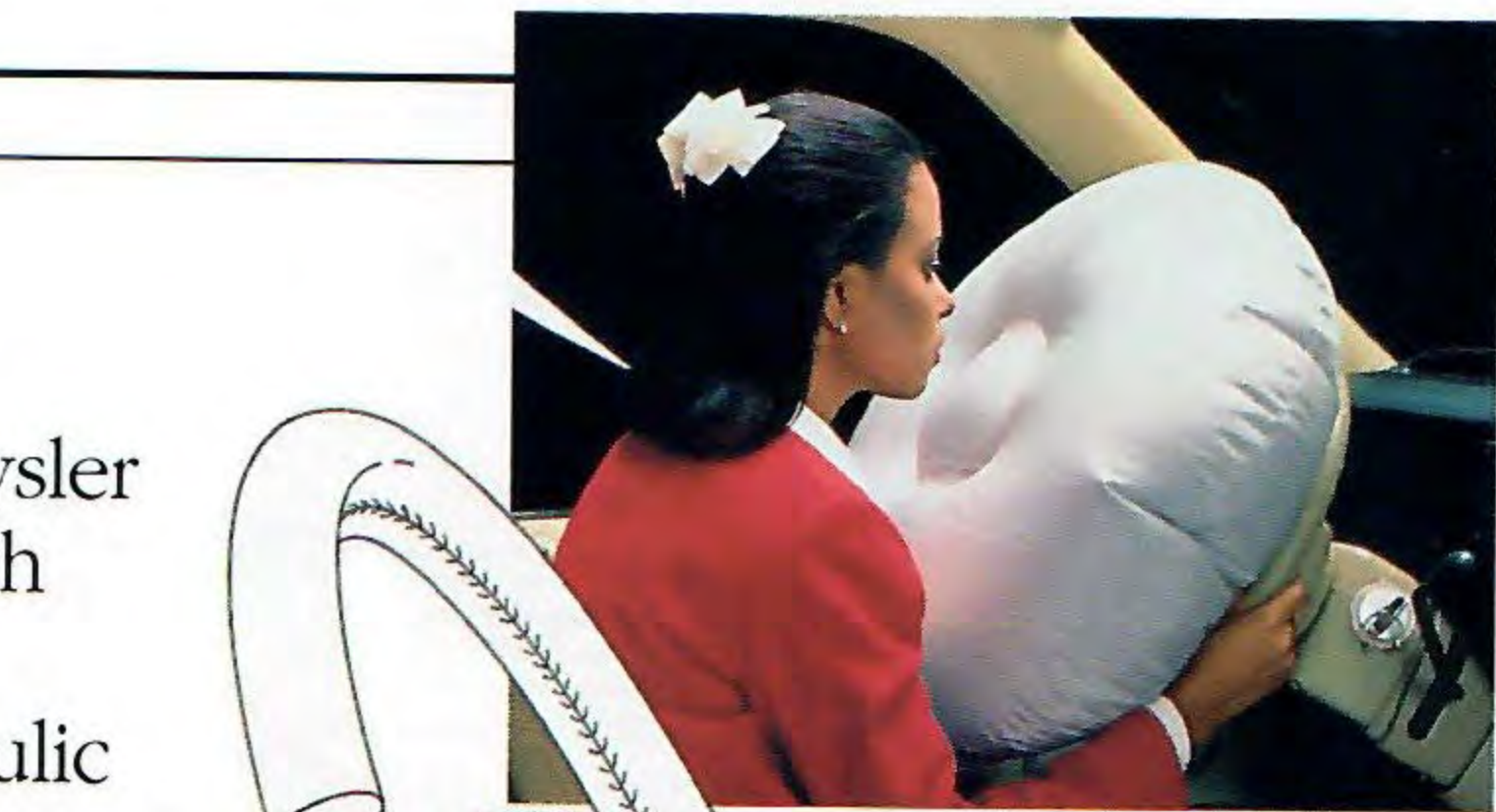
Simulated air bag deployment shown.

Safety. The Advantage Of Your Life.

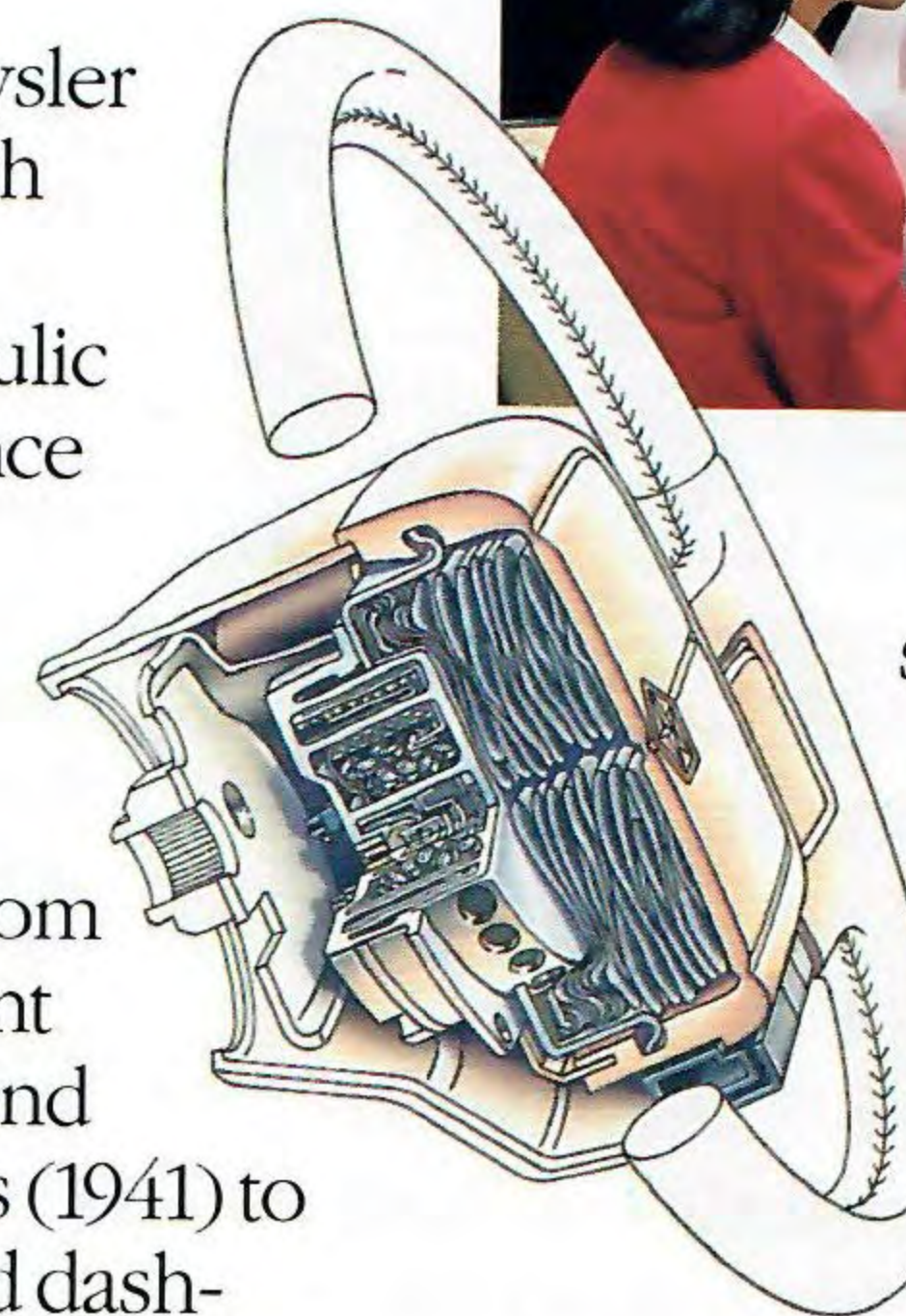
The very first Chrysler was equipped with the advantage of four-wheel hydraulic brakes in 1924. Since then, Chrysler Engineering has been a leading pioneer of automotive safety — from safety-padded front seatbacks (1937) and Safety-Rim wheels (1941) to a safety-cushioned dashboard (1949), four-wheel disc brakes (1950) and front shoulder safety harnesses (1966). And, for 1992 ...

Form Follows Safety.

Utilizing aerospace technology and principles, Chrysler engineers pioneered the extensive use of air bags. Every Chrysler Division passenger car Chrysler Corporation builds in the U.S. is equipped with a driver-side air bag (A). All Chrysler air bag systems are factory-certified and feature gold-plated terminals to resist corrosion, humidity-sealed sensors and connectors to prevent the entry of moisture, soldered terminal grips to guarantee conductivity and neoprene-coated



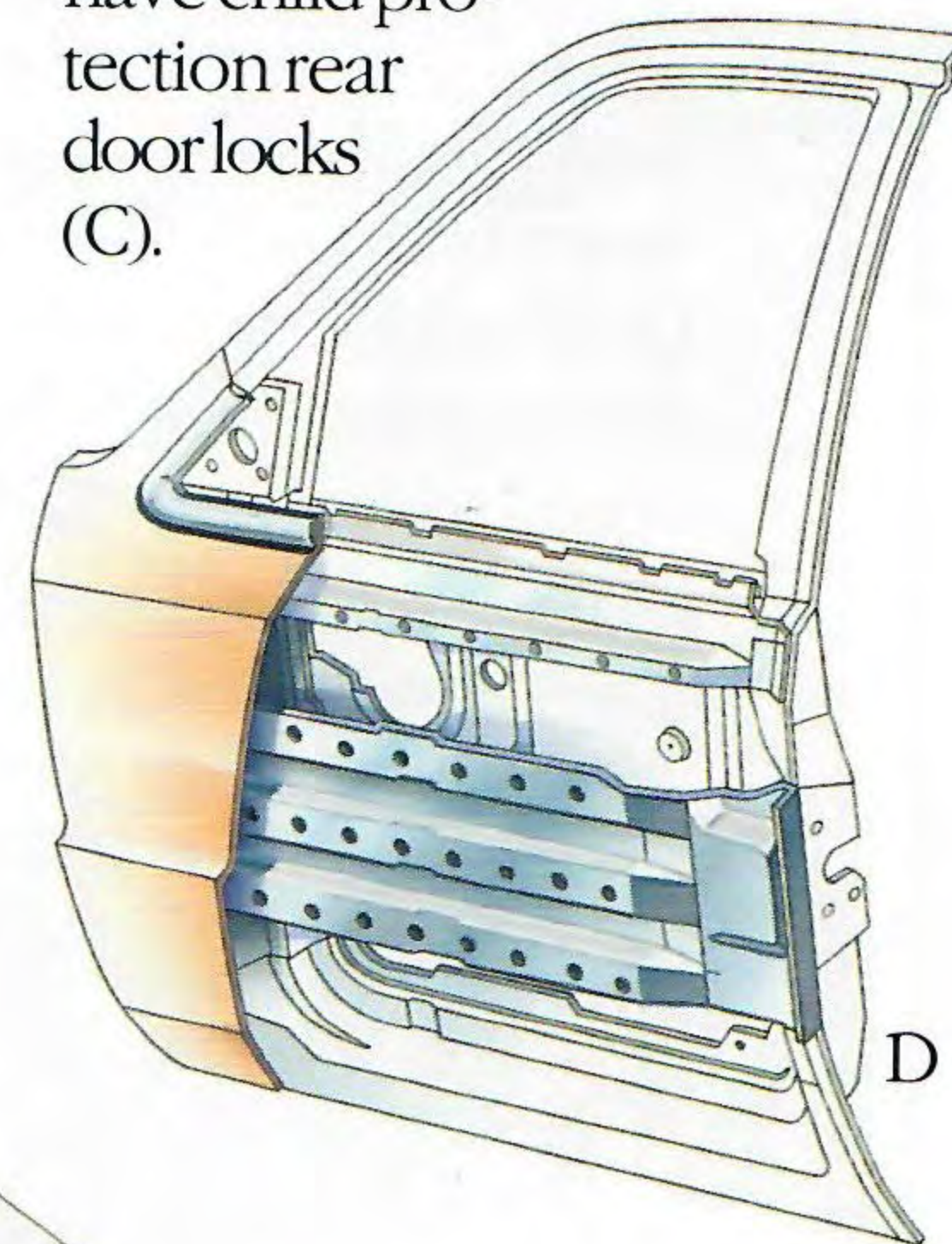
Simulated air bag deployment shown.



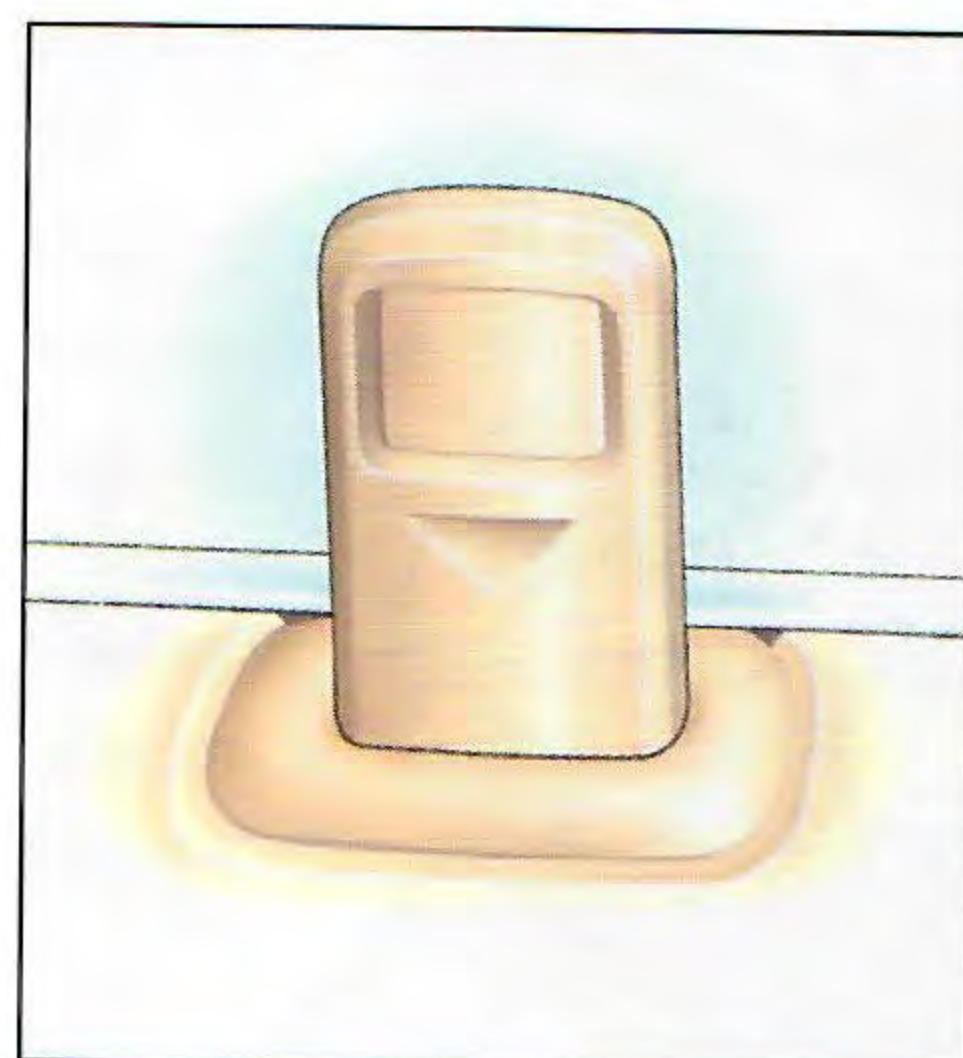
sewn nylon bags to protect against deterioration. The air bag, in combination with a lap/shoulder belt, is one of

the best driver protection systems available.

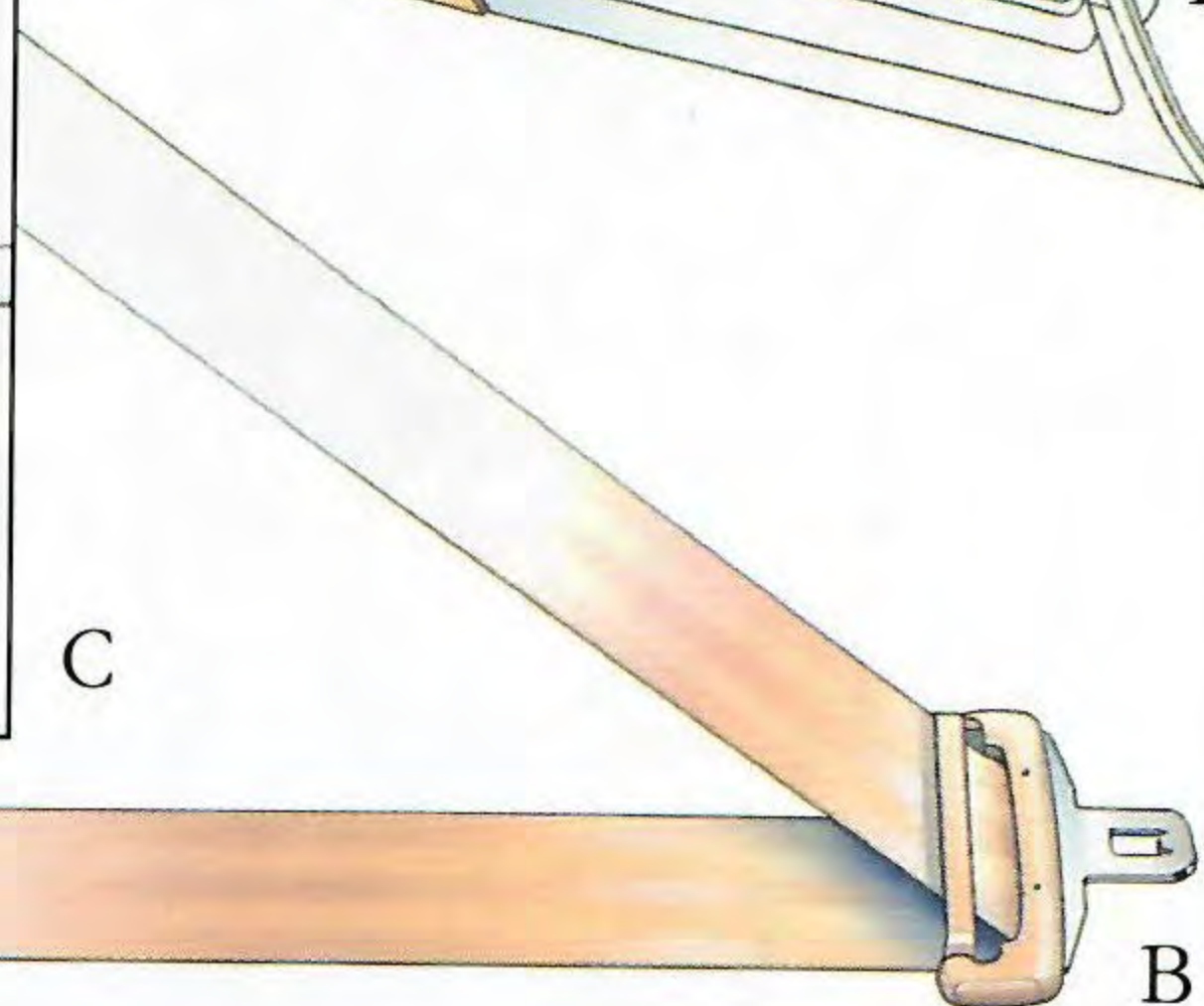
Three-point Unibelt restraints (B) are provided for front and rear outboard passengers on all New Yorkers. This safety device employs a one-piece lap and shoulder belt — the safety belt retractor locks instantly during severe deceleration of the vehicle or in a collision. New Yorkers also have child protection rear door locks (C).



D

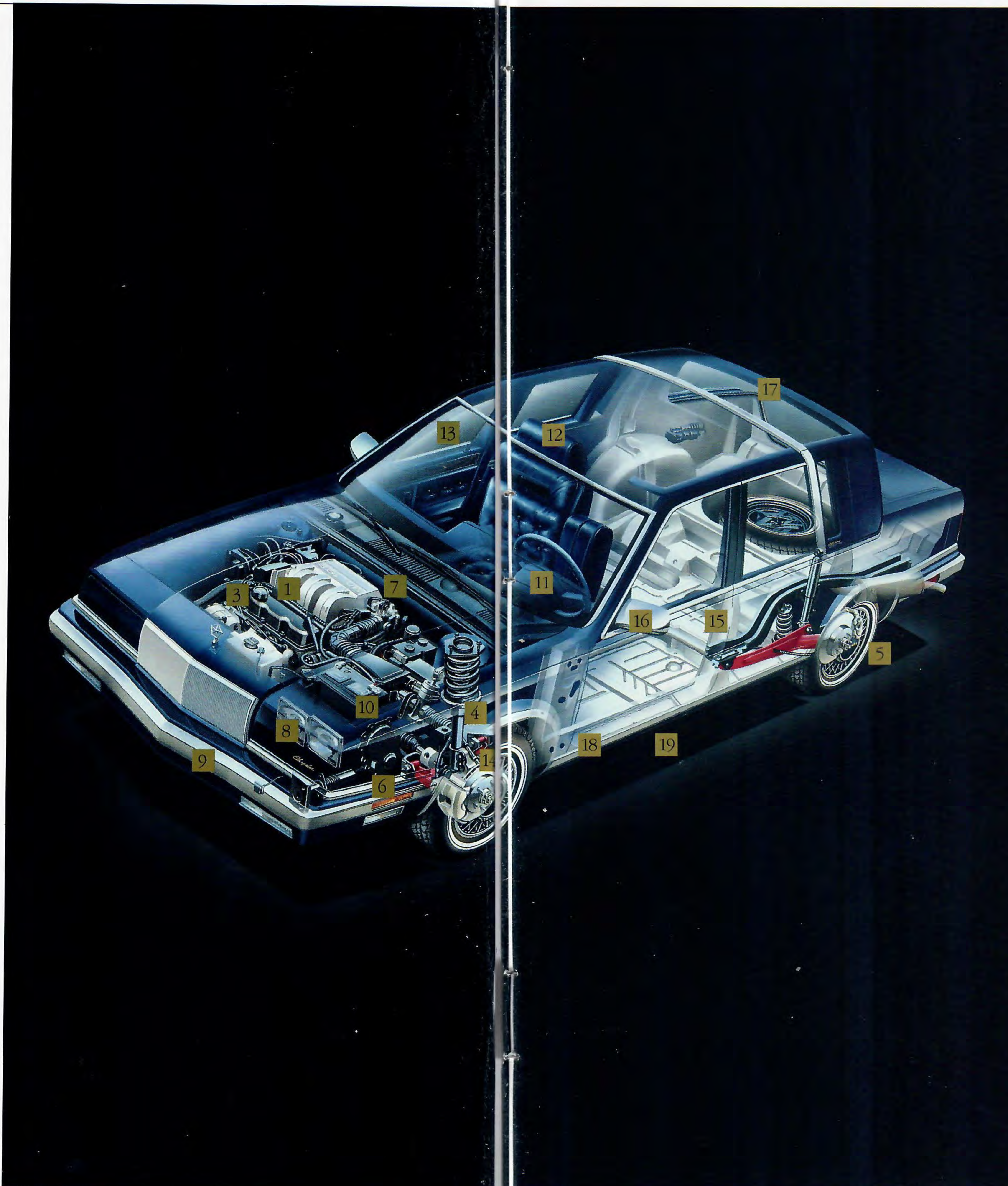


C



B

Safety Through Engineering



To better guard you in a lateral impact, every New Yorker is reinforced with front and rear steel side-door beams (D). And to better guard your New Yorker while you're away from it, a remote keyless entry system (E) is available to provide additional convenience and security. The system works in combination with the security alarm to arm or disarm the theft security alarm system, lock or unlock all doors and unlock the trunk. The driver activates the system through a transmitter mounted in a key fob. An illuminated entry system is also available.

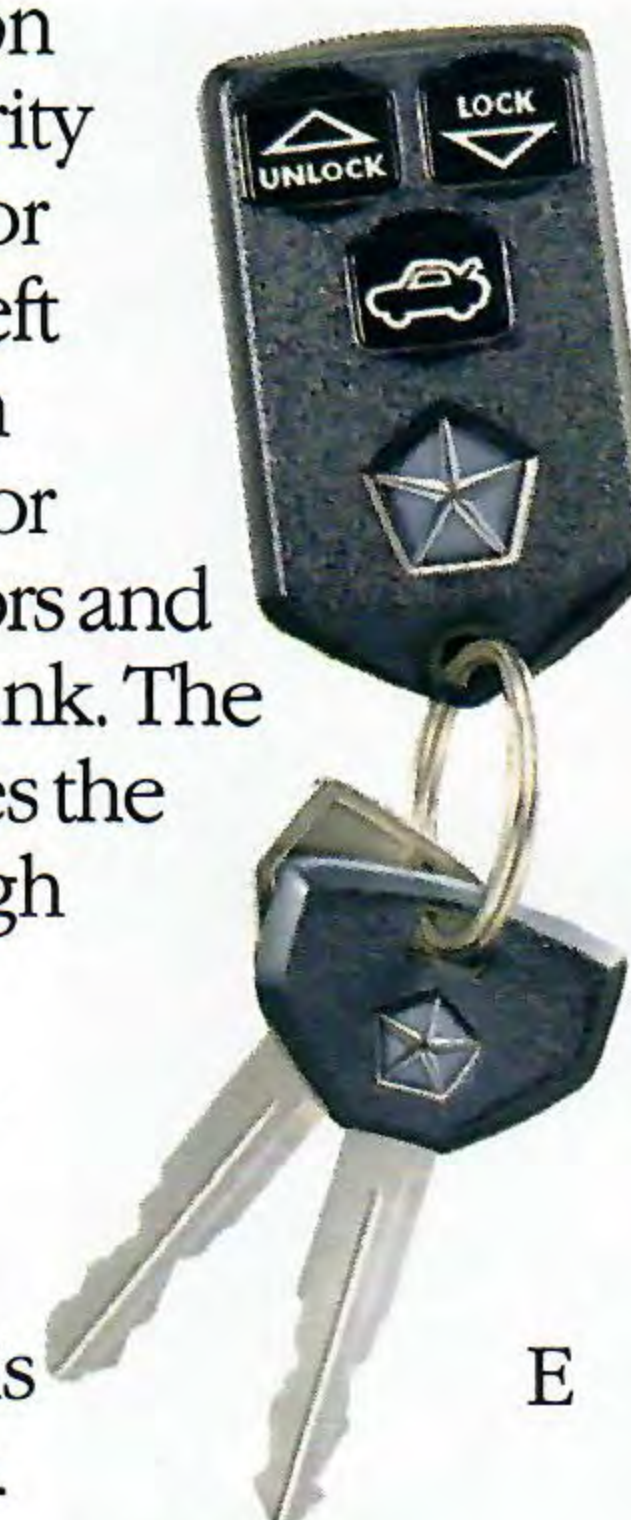
Safety That's Out Of Sight. Chrysler cellular phone systems deliver convenient communication and are engineered for compatibility with your New Yorker. Choose the revolutionary Visorphone® (F) to make

and take calls without diverting attention from the road. And it's right at your fingertips should you need help in an emergency. For lightweight compactness, there's a rugged 18.5-ounce Portable phone.

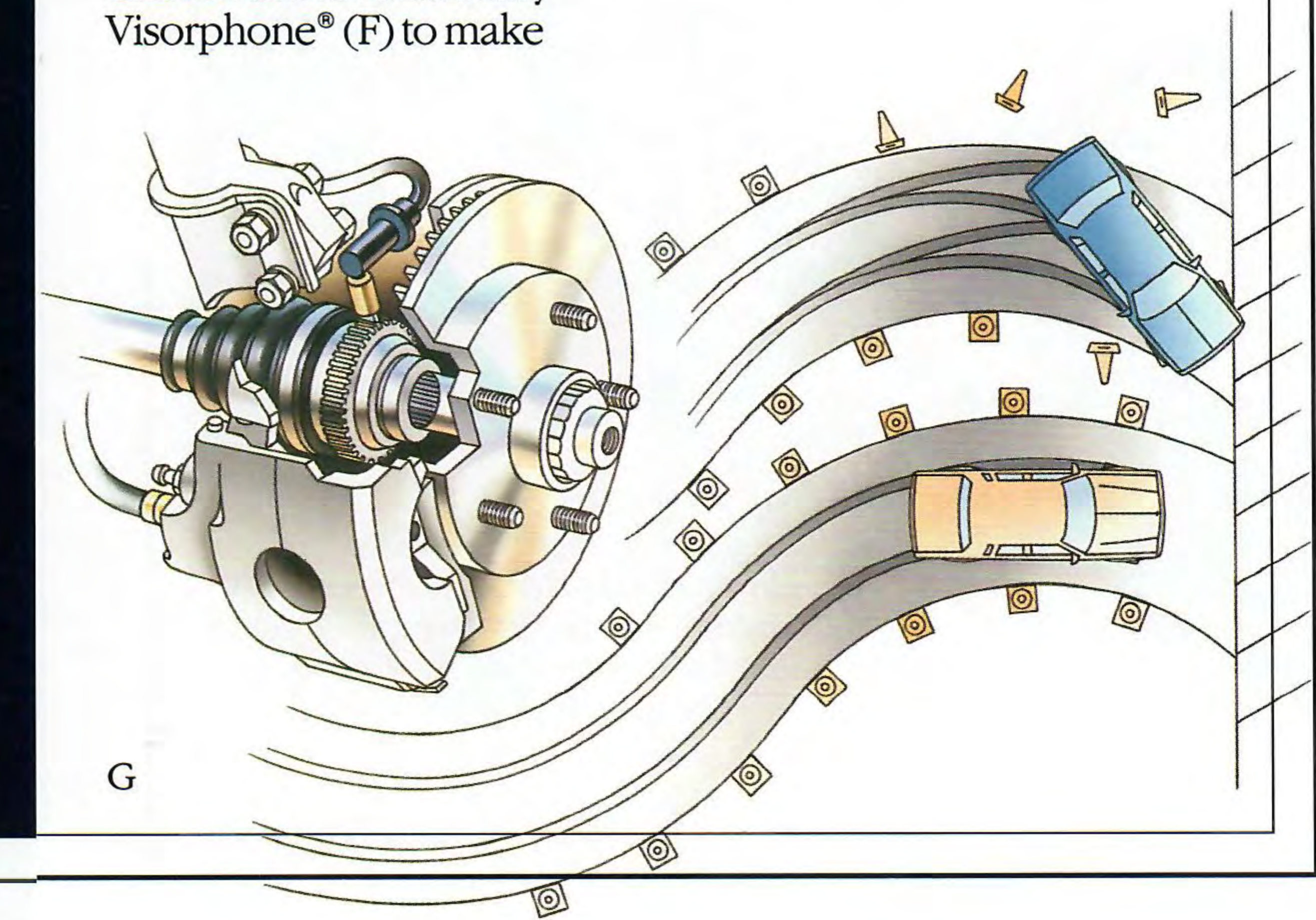
Helping to maintain steering ability and prevent wheel lockup during severe braking, Chrysler's available four-wheel antilock disc brake system (G) is tuned to the particular characteristics of each New Yorker model. Special wheel speed sensors detect impending lockup, then the system's microprocessor selectively adjusts braking pressure up to 15 times per second. If one front wheel starts to lock, only pressure to that brake is reduced. If either rear wheel begins to lock, pressure to both rear brakes is reduced.

*Visorphone is a registered trademark of Cartell, Inc. See page 27 for warranty details.

F



E



G

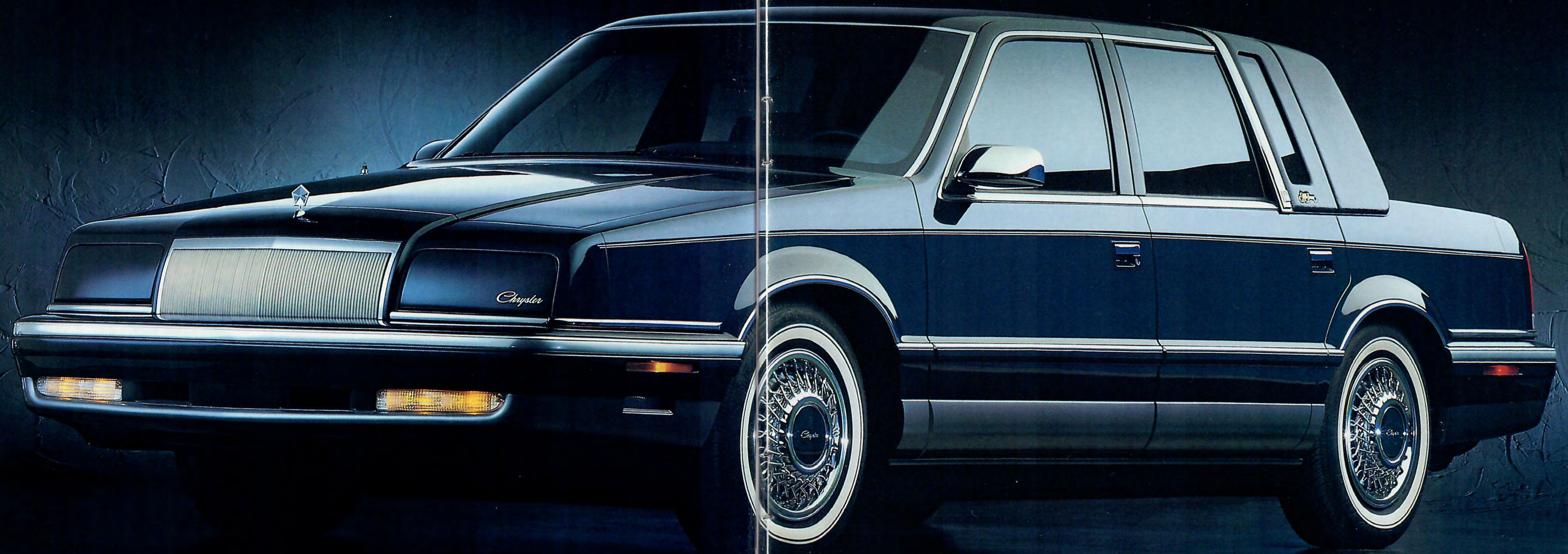
New Yorker Fifth Avenue

Luxury can be a matter of taste. Quality cannot. Quality can only be measured by the results achieved when the full resources of design and engineering have been committed to its attainment. For more than sixty years, Chrysler has committed its resources to quality of design,

and engineering. A significant result is the 1992 Fifth Avenue, a triumph of quality *and* luxury.

The newest New Yorker is re-styled but bears a traditional resemblance to its predecessors... not just in classic appearance, but in quality of execution. We believe no Chrysler has ever

been better engineered. For quality. Or for safety: See it in the emergency steering control of Fifth Avenue's available antilock brakes; in the security of child protection rear-door locks; in the automatic speed-sensitive door lock system.
Advantage: Quality



New Yorker Fifth Avenue


It is not just room. It is room defined by comfort. Comfort stretched out over a 109.6-inch wheelbase... relaxation riding aboard an available air suspension system that offers Chrysler's softest ride. A micro-processor automatically adjusts ride height and quality. Air

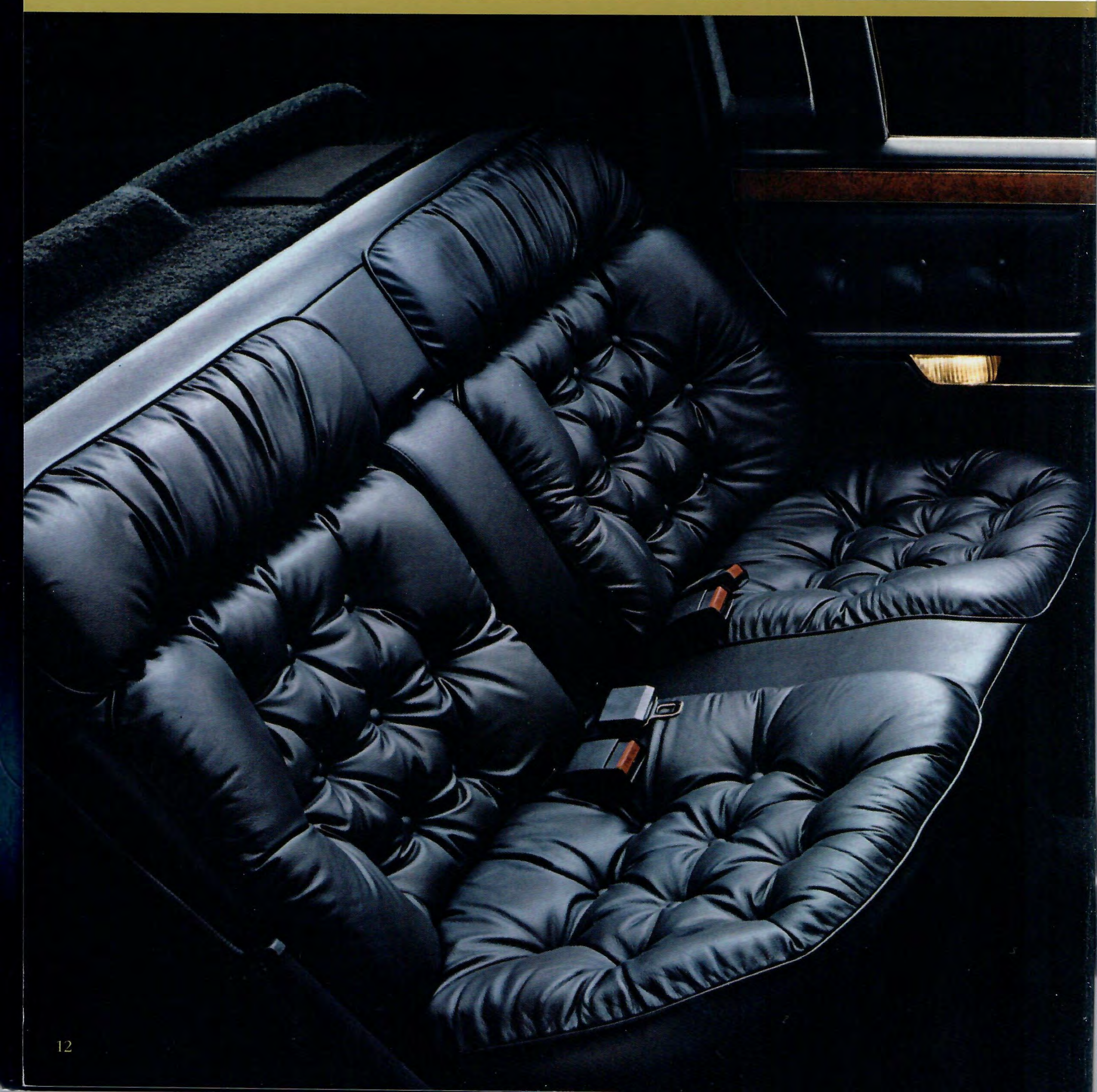
springs shut out road noise that metal springs would amplify. If luxury is silence, Fifth Avenue's interior is golden. Modern acoustic materials have reduced noise and vibrations to whisperings. And if luxury is convenience, Fifth Avenue qualifies: with the available



electronic instrument cluster and a comprehensive array of standard features that rivals any car in its class.

Advantage: Luxury

 The Cross family of Boston gave birth to the Mark Cross tradition of exquisitely crafted leather in 1845. The uncompromising character lives on in this Mark Cross interior.



New Yorker Fifth Avenue available Mark Cross leather-with-vinyl-trim interior, shown in Midnight Blue. Above: Available electronic instrument cluster.

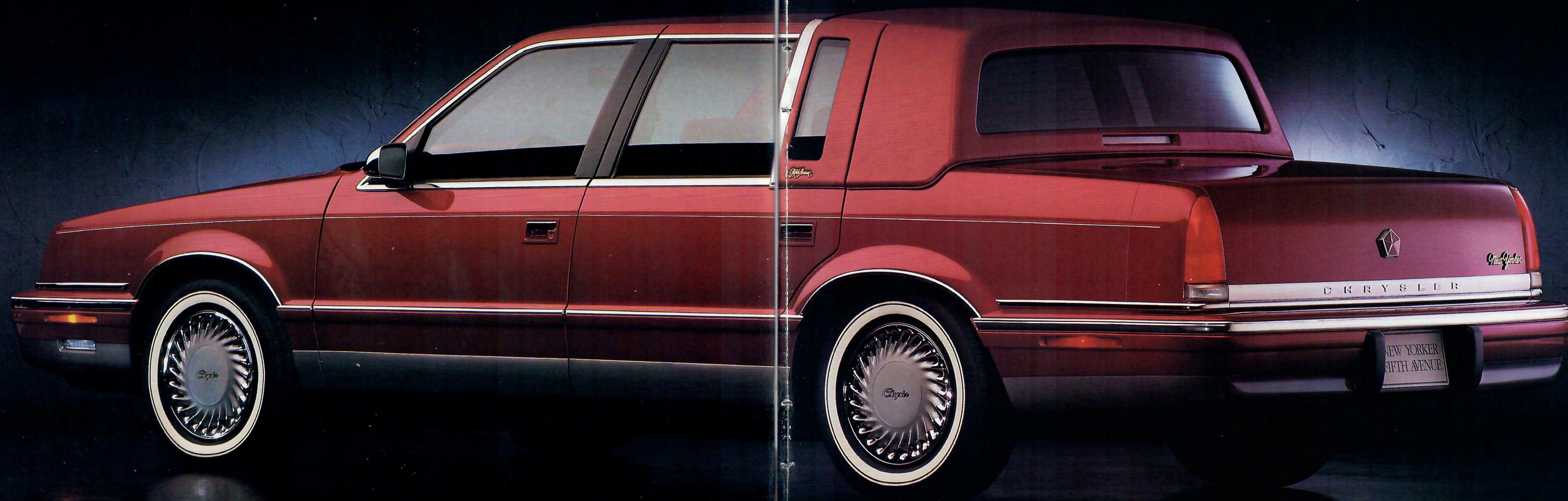
New Yorker Fifth Avenue

Much of the appeal of a full-size luxury automobile derives from the carefully preserved tradition of its styling. But styling, however classic, must *evolve* with the times. Restyled for 1992, Fifth Avenue's front and rear lines are subtly curved—suggesting the same easy smoothness

that has been engineered into this New Yorker's polished performance. The available 3.8-liter V6 engine beneath Fifth Avenue's slanted hood is the equal in smoothness of its contemporized lines. The "V" design of the sequentially fuel-injected engine



insures even firing for smooth operation, a smoothness enhanced by Chrysler's computer-controlled four-speed automatic transaxle. Inside, a new overhead light module and optional floor console expand the luxury with deftly engineered storage space. **Advantage: Engineering**



New Yorker Salon

Those who are accustomed to the style, roominess, and luxury of a New Yorker will take even greater comfort in an additional Salon advantage: the *value* that's built into this lowest-priced New Yorker. Salon boasts a standard 3.3-liter V6 engine, configured for smooth operation and

coupled to an electronic four-speed automatic transaxle.

Inside, Salon is just what its name suggests—comfortable room, tasteful surroundings. Comfort begins in the deep 50/50 individually adjustable front seats and can be extended with the available driver-side

power six-way seat adjuster or driver and passenger eight-way adjusters with driver-side memory feature. Comfort comes, too, from Salon's safety features: driver-side air bag; padded instrument panel; rear outboard lap/shoulder belts — all standard. **Advantage: Value**



New Yorker Salon, shown in Black Cherry Pearl Coat.
Above: New Yorker Salon standard instrument cluster.

New Yorker Salon

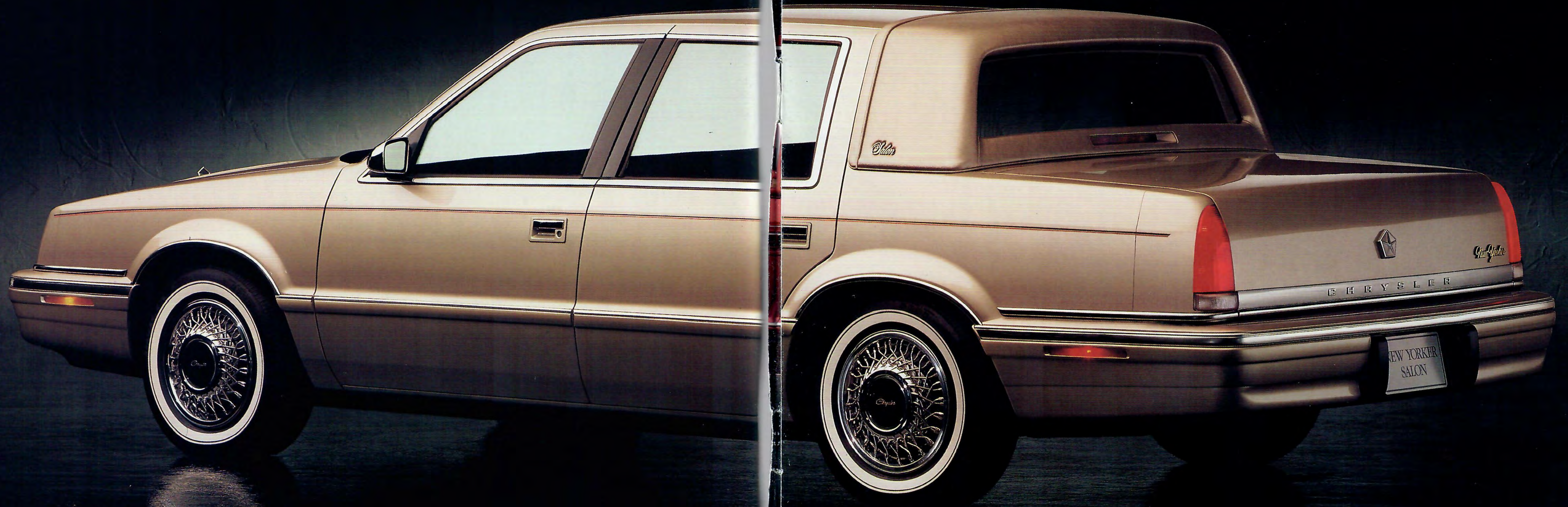
The question of contemporary versus classic styling has been resolved beautifully by Salon's adaptation of the best of both stylistic worlds. Salon for 1992 integrates the modern, smoothly rounded lines fashionable today with the classic landau roof, the heritage of past New Yorkers—

and now available for the first time on Salon.

This newly styled Salon's wide rear doors open to an interior that offers a high level of standard comfort and convenience features, ranging from an illuminated display message center to tinted glass in all windows.



Additional storage space is provided in the newly available floor console which includes an upper shelf, a tape cassette storage area and a pull-out tray. For convenience *and* safety, Salon can be pre-wired for dealer installation of a cellular phone. **Advantage: Style**



Quality Assurance. Advantage: Chrysler

All Chryslers are designed, engineered and assembled with a remarkable combination of computer technology, strenuous testing and skilled craftsmanship. Our goal is to make every Chrysler as solid and dependable as possible.

A. An "Anaerobic" assembly

process applies a thick bead of epoxy/resin-based cement around the entire circumference of the inner door structure. Combined with welding, this process provides reduced noise, greater strength and improved rust resistance.

B. To help improve aerody-

amic design for a quiet ride and increase operating efficiency, wind tunnel testing is performed at two U.S. locations.

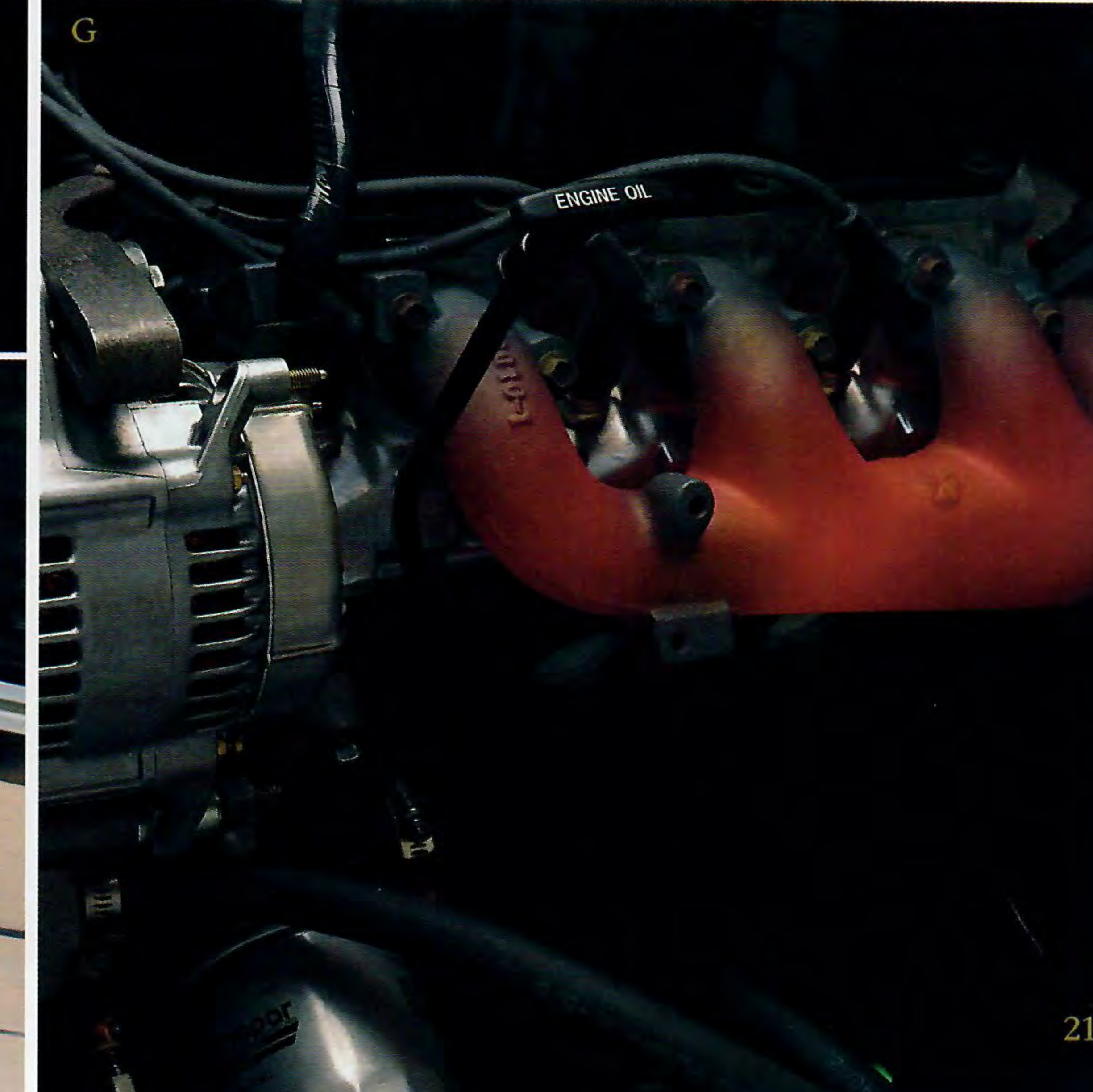
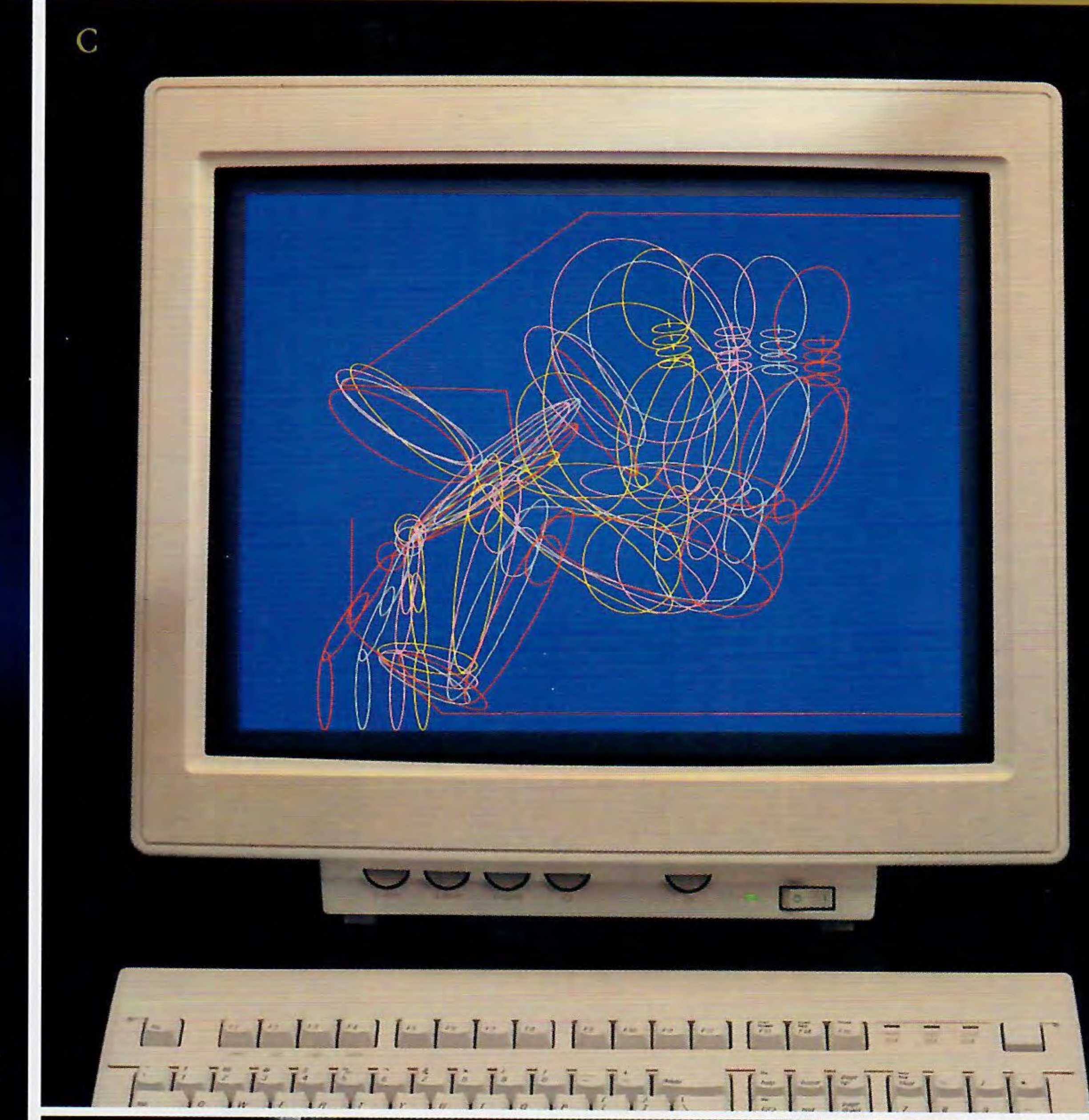
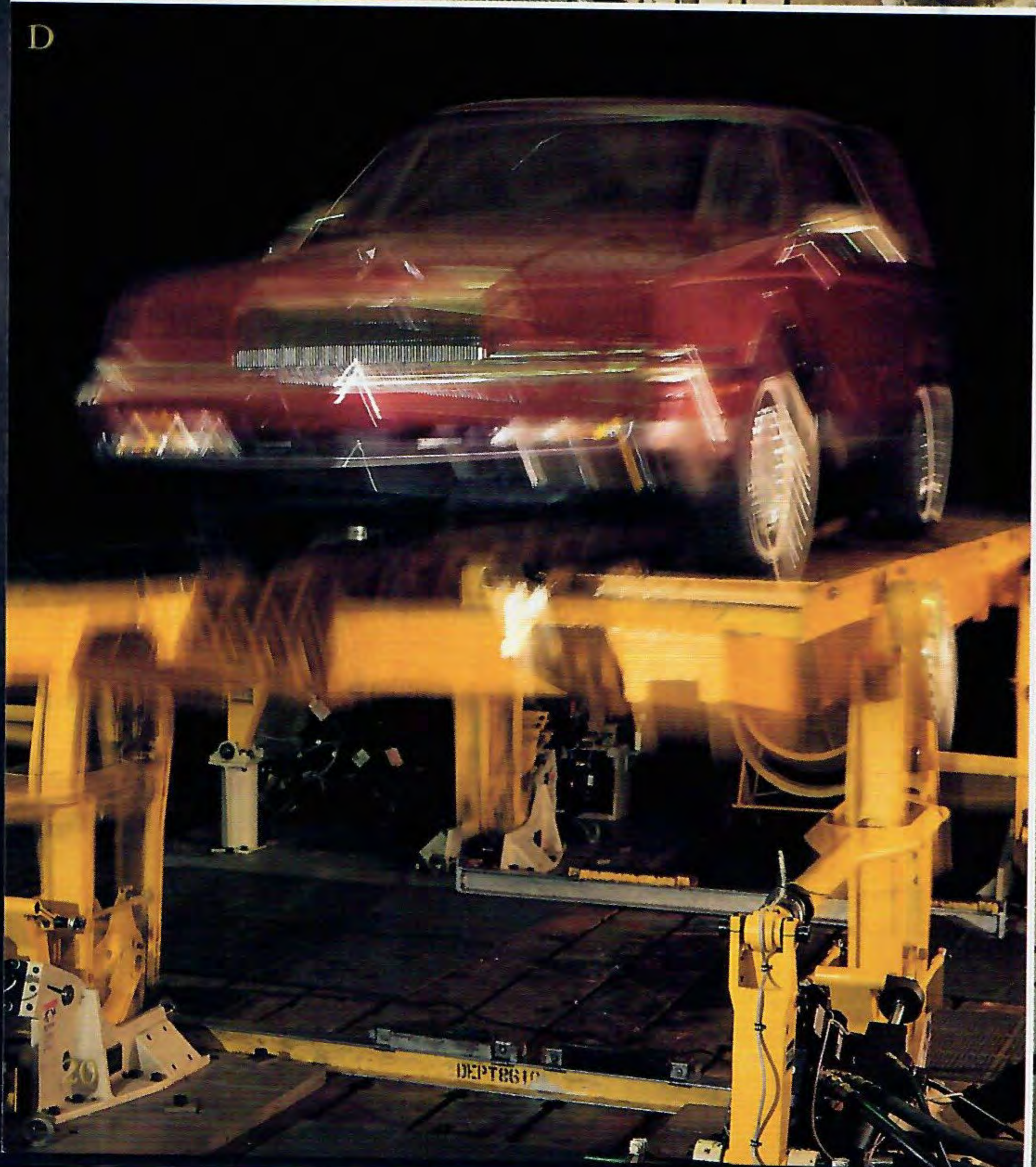
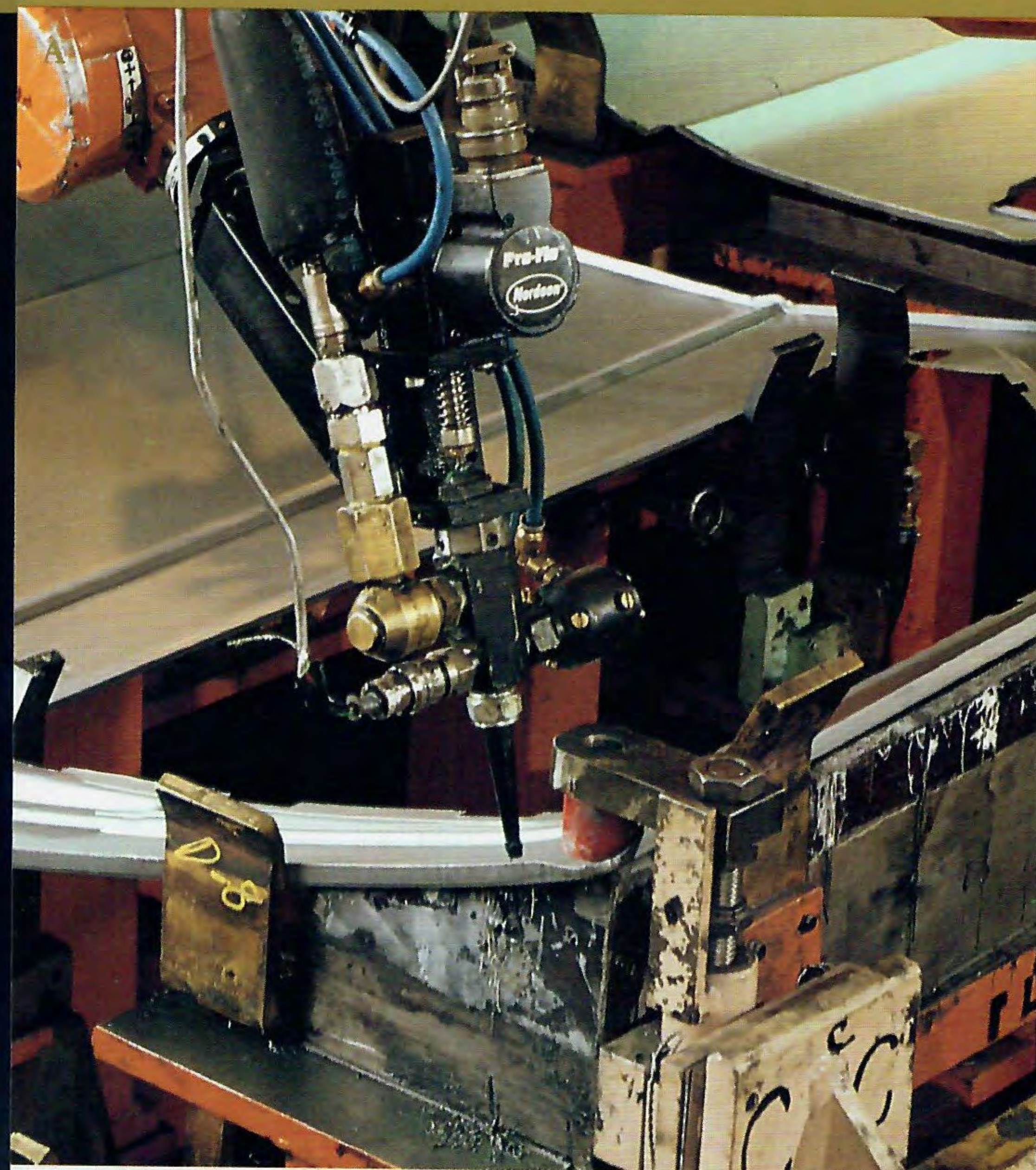
C. Better protection of automobile occupants is the aim of Chrysler engineers who use a three-dimensional computer model, in efforts to help control

body movement in a collision. D. A computer-operated Road Simulator creates a variety of surfaces to determine the effect various vibrations will have upon vehicles.

E. To learn more about structural reliability, every crash test is filmed with high-speed

cameras for detailed analysis. F. At the Chrysler test track, 50,000-mile power train endurance tests, which simulate very aggressive driving conditions, go on 24 hours a day.

G. To test durability, test engines are run at 4,000 rpm for 800 hours in dynamometer booths.



Features And Options

A. Power Sunroof of tinted glass retracts or opens quietly. A second panel blocks out bright rays. Optional.

B. Automatic Day/Night Mirror dims reflected glare but maintains maximum rear vision. Mirror also contains a "daylight" sensor that automatically turns headlights and taillights on as natural light diminishes, and off as it increases. Optional.

C. Compact Disc Changer System with hand-held controller is available for dealer installation. For ultimate listening enjoyment, system offers superb antivibration performance, easy-change magazine and six-disc storage.

D. Cellular Phones are available for dealership installation when a New Yorker is factory-wired as part of the Customer PreferredSM Ordering System. The Visorphone[®] (shown) is integral to the driver's sun visor for hands-free operation. A portable phone is also available.

E. Infinity RS Audio System creates a concert hall sound. The optional system includes the equalizer cassette radio, 10 speakers in six locations and a centralized 120-watt amplifier (in trunk) that tailors output to individual speakers.

F. Wheels and Wheel Covers. Luxury wheel covers (1) are standard on Fifth Avenue. Premium wheel covers (2) are standard on Salon. Wire wheel covers (3) and cast aluminum road wheels (4) are available on either New Yorker (sets of four).

®Visorphone is a registered trademark of Cartell, Inc. See page 27 for details.



Exterior Colors



Black Cherry Pearl Coat



Claret Red Pearl Coat



Light Champagne Metallic Clear Coat



Beryl Green Pearl Coat



Midnight Blue Metallic Clear Coat



Diamond Blue Metallic Clear Coat



Black Clear Coat



Dark Quartz Gray Metallic Clear Coat



Bright Silver Metallic Clear Coat



Bright White Clear Coat

Note: Due to printing limitations, the colors shown will vary slightly from actual hues. See your Chrysler dealer for accurate color chips. Clear Coat finish is standard on every 1992 passenger car built by Chrysler Corporation.

Interior Trim



Standard on Fifth Avenue. Kimberly cloth 50/50 individually adjustable front seats with folding center armrest and seatback recliner. Driver's seat includes power adjustments for six-way track. Also available with eight-way power adjustments for both seats with driver seat two-position memory feature.



Optional on Fifth Avenue. Mark Cross leather-with-vinyl-trim 50/50 individually adjustable front seats with folding center armrest and two-way adjustable headrest. Both seats offer eight-way power adjustments with driver seat two-position memory feature.



Standard on Salon. Kimberly cloth 50/50 individually adjustable front seats with folding center armrest, two-way adjustable headrest and seatback recliner. Also available with six-way power adjustment for driver seat or both seats, or with eight-way power adjustments for both seats with driver seat two-position memory feature.



Optional on Salon. Leather-with-vinyl-trim 50/50 individually adjustable front seats. Both seats offer six-way power plus a folding center armrest, two-way adjustable headrest and seatback recliner. Also available with eight-way power adjustments for both seats with driver seat two-position memory feature.

New Yorker Color Combinations

Exterior Color*	Interior Color†			
	Crimson Red	Midnight Blue	Champagne	Dark Gray
Black Cherry Pearl Coat	x		x	
Claret Red Pearl Coat‡	x			
Light Champagne Metallic Clear Coat‡			x	x
Beryl Green Pearl Coat			x	x
Midnight Blue Metallic Clear Coat		x	x	
Diamond Blue Metallic Clear Coat‡		x		
Black Clear Coat	x		x	x
Dark Quartz Gray Metallic Clear Coat	x			x
Bright Silver Metallic Clear Coat	x	x		x
Bright White Clear Coat‡	x	x	x	x

*Salon models not equipped with the Vinyl Roof Package have Dark Quartz fascias.

†All interior colors are available in both all-cloth and leather-with-vinyl trim.

‡Available when the Vinyl Roof Package is ordered on Salon models. Vehicles equipped with vinyl roof are monotone.

Standard and Optional Equipment

	NEW YORKER SALON	NEW YORKER FIFTH AVENUE
Air Bag System—Driver's side only	S	S
Air Conditioning—Automatic temperature control	—	E ¹
Air Conditioning—Manual	S	S
Alarm System—Vehicle theft security	E	E
Alternator—90-ampere	S	S
Antenna—Power	E	E
Ash Receiver—Front and rear	S	S
Battery—500-ampere, maintenance-free	S	S
Brakes—Power-assisted, front disc/rear drum	S	S
Brakes—Antilock, four-wheel disc	E	E
Bumpers—Energy-absorbing	S	S
Bumper Guards—Rear	S	S
California Emissions Control and Testing	E	E
Carpet—Passenger compartment and lower door trim panels: color-keyed	S	S
Carpet—Trunk	S	S
Cellular Phone—Portable phone* (Dealer-installed)	E	E
Cellular Phone—Visorphone** (Dealer-installed)	E	E
Cellular Phone—Pre-Wire	P	P
Chimes—Warning: fasten seatbelts, headlights on, key-in-ignition, turn signal on	S	S
Cigar Lighter	S	S
Clock—Digital: integral with all radios	S	S
Coat Hooks—Rear (two)	S	S
Console—Front: storage, floor-mounted	P	P
Console—Overhead: includes twin map/courtesy lights	S	S
Corrosion Protection—Antichip protective coating on lower body panels; extensive use of galvanized steel	S	S
Cup Holders—Front-seat center armrests	S	S
Cup Holders—Rear-seat center armrest	P	P
Deck Lid—Remote release, electric	S	S
Deck Lid—Automatic pulldown	E	E
Defroster—Rear window, electric	S	S
Demister—Front door windows	S	S
Door Locks—Power: automatic speed-sensitive actuation with ignition key interlock	E	S
Door Locks—Rear doors: child protection	S	S
Electronic Ignition, Fuel Injection and Voltage Regulator	S	S
Electronic Vehicle Information Center	—	E
Engines—See Engine Chart		
Front-Wheel Drive	S	S
Fuel Filler Cap Tether	S	S
Fuel Tank—Sixteen-gallon	S	S
Glass—Tinted: all windows	S	S
Glove Box—Locking	S	S
Headlights—Automatic	P	P
Headlight System—Concealed, quad halogen	S	S
Hood—Counterbalanced, inside release	S	S
Horn—Dual-note	S	S
Illuminated Entry System	P	P

	NEW YORKER SALON	NEW YORKER FIFTH AVENUE
Instrument Cluster—Electromechanical with analog display: includes speedometer, odometer, trip odometer; gauges for electrical system voltage, engine coolant temperature, engine oil pressure and fuel level	S	S
Instrument Cluster—Electronic: includes liquid crystal digital displays for speedometer, odometer and trip odometer; electronic analog gauges for electrical system voltage, engine coolant temperature, engine oil pressure and fuel level	—	E
Insulation—Premium sound	S	S
Keyless Entry—Remote	E	E
Lights—Ash receiver	S	S
—Cornering	—	P
—Courtesy reading, front overhead	S	S
—Courtesy reading, rear	S	S
—Door courtesy	S	S
—Glove box	S	S
—Ignition switch with time delay	S	S
—Trunk	S	S
—Underhood	S	S
Mats—Carpeted floor: color-keyed, front and rear	P	P
Message Center—Incandescent: car graphic outline with warnings for door ajar, trunk ajar, and windshield washer fluid low	S	S
Mirrors—Exterior dual power remote control: bright, heated	S	S
Mirrors—Exterior dual power remote control, with two-position memory: bright, heated	E	E
Mirrors—Interior driver and passenger visor vanity	S	S
Mirrors—Interior driver and passenger visor vanity: illuminated	P	P
Mirrors—Interior rearview: automatic day/night adjustment	P	P
Mirrors—Interior rearview: day/night	S	S
Moldings—Bodyside, color-keyed	S	S
Moldings—Wheel openings, bright	S	S
Multifunction Control Lever—Mounted on steering column: includes controls for turn signals, headlight dimmer, and intermittent windshield wiper/washer	S	S
Pockets—Front seatbacks	S	S
Radio—AM/FM stereo: electronically tuned; four-speaker system, integral digital clock	S	S
Radio—AM stereo ² /FM stereo electronically tuned; Dynamic Noise Reduction ³ ; cassette tape player with auto reverse, integral digital clock	E	—
Radio—AM stereo ² /FM stereo electronically tuned; with seek-and-scan, Dynamic Noise Reduction ³ ; cassette tape player, Dolby B ⁴ Noise Reduction, five-band graphic equalizer	E	E
Radio—Chrysler Infinity RS Sound System, AM stereo ² /FM stereo electronically tuned; with seek-and-scan, Dynamic Noise Reduction ³ ; cassette tape player, Dolby B ⁴ Noise Reduction, vehicle equalized 10-speaker system, five-band graphic equalizer, integral digital clock	E	E
Roof—Landau: padded vinyl	E	S
Seats—Front all-cloth 50/50 split bench, dual center armrests with cup holders, two-way adjustable head restraints and reclining seatbacks, seatback pockets	S	S

	NEW YORKER SALON	NEW YORKER FIFTH AVENUE
Seat—Power, front eight-way driver and passenger with driver's two-position memory for seat and exterior mirrors	E	P
Seat—Power, front six-way, driver and passenger	P	—
Seat—Power, front six-way, driver only	E	S
Seat—Rear, all-cloth bench with folding center armrest	S	S
Seat Belts—Active, color-keyed, Unibelt (for outboard passengers; lap belts at center locations)	S	S
Seat—Upholstery: leather-with-vinyl-trim	E	P ⁵
Spare Tire—Compact	S	S
Spare Tire—Conventional	E	E
Speed Control—Electronic, controls integral with steering wheel	E	S
Stoplight—Supplemental, center high-mounted	S	S
Steering—Rack-and-pinion: power-assisted	S	S
Steering Column—Tilt	E	S
Steering Wheel—Luxury	S	S
Steering Wheel—Luxury: leather-wrapped	P	P
Stripe—Upper bodyside	P	S
Sunroof—Power with manual sliding sunshade and integral pop-up wind deflector	E	E
Suspension—Air, front and rear: automatic	—	E
Suspension—Automatic rear load-leveling	E	S
Tires—P195/75R14 steel-belted radial, white sidewall (set of four)	E	S
Tires—P195/75R14 steel-belted radial, black sidewall (set of four)	S	—
Transaxle—Four-speed automatic with overdrive, computer-controlled	S	S
Undercoating	P	P
Wheel Covers—Luxury, 14-inch (set of four)	—	S
Wheel Covers—Premium, 14-inch (set of four)	S	—
Wheel Covers—Wire with locks, 14-inch (set of four)	E	E
Wheels—Cast aluminum, 14-inch (set of four)	E	E
Windows—Power: front and rear	S	S
Windshield Wipers—Deluxe two-speed, with intermittent wipe: concealed	S	S

S = Standard. E = Extra cost. Some items may also be available in Customer-PreferredSM Packages. See Customer-PreferredSM Packages and "additional options" for availability. P = Package only. See Customer-PreferredSM Packages for availability. ¹There are special engine cooling requirements for field-installed air conditioning. Failure to follow these requirements may invalidate warranty. See your dealer for details. ²Some AM stereo broadcasting may not be compatible with this radio. ³Dynamic Noise Reduction is a trademark of National Semiconductor Corporation. ⁴Dolby B is a trademark of Dolby Laboratories. ⁵Mark Cross leather. ⁶Visorphone is a registered trademark of Cartell, Inc. ⁷OKI[®] Telecom manufactures, services, and is the warrantor of the Visorphone and Portable phone products that are available on selected Chrysler Corporation vehicles. See your dealer for a copy of the limited warranties. Restrictions apply.

Customer-Preferred Order SystemSM

PACKAGE CONTENTS	NEW YORKER SALON			NEW YORKER FIFTH AVENUE		
	A	C	D	A	C	D
Auto Day/Night Mirror/Automatic Headlights			●			●
Cellular Phone Pre-Wire			●			●
Console—Floor-mounted front storage		●	●		●	●
Cup Holders—Rear-seat armrest			●			●
Electronic Speed Control/Tilt Steering Column		●	●		●	●
Illuminated Entry System/Illuminated Vanity Mirrors			●			●
Mats—Floor: front and rear, carpeted		●	●		●	●
Paint Stripe—Bodyside		●	●		●	●

	PACKAGES		
	A	C	D
Power Door Locks—Automatic		●	●
Power Six-Way Front Seats			●
Radio—AM/FM cassette		●	●
Steering Wheel—Leather-wrapped			●
Tires—P195/75R14 white sidewall (set of four)		●	●
Undercoating		●	●
Wheel Covers—Wire (set of four)			●
ADDITIONAL OPTIONS (Available only with corresponding Customer-PreferredSM Packages.)			
Brakes—Four-wheel antilock disc	E	E	E
Electronic Speed Control/Tilt Steering Column	E	P	P
Power Antenna/Automatic Deck Lid Pulldown			E
Power Door Locks—Automatic	E	P	P
Power Eight-Way Front Seats with Driver-Side Memory on Seat and Exterior Mirrors			E
Power Six-Way Driver's Seat		E	P
Power Sunroof—Glass			E
Radio—AM/FM cassette	E	P	P
Radio—Infinity RS sound system			E
Radio—Graphic equalizer/cassette tape player		E	E
Remote Keyless Entry/Security Alarm		E	E
Roof—Vinyl landau		E	E
Seating—Leather-with-vinyl-trim			E
Suspension—Rear load-leveling		E	E
Tire—Spare: conventional	E	E	E
Tires—P195/75R14 white sidewall (set of four)	E	P	P
Wheel Covers—Wire (set of four)		E	P
Wheels—Cast aluminum (set of four)			E

NEW YORKER FIFTH AVENUE

PACKAGE CONTENTS	PACKAGES		
	A	B	C
Auto Day/Night Mirror/Automatic Headlights		●	●
Cellular Phone Pre-Wire		●	●
Console—Floor-mounted front storage		●	●
Cornering Lights		●	●
Cup Holders—Rear-seat center armrest		●	●
Illuminated Entry System/Illuminated Vanity Mirrors		●	●
Mats—Floor: front and rear		●	●
Power Eight-Way Front Seats with Two-Position Driver-Side Memory on Seat and Exterior Mirrors		●	●
Radio—Graphic equalizer/cassette tape player		●	●
Seating—Mark Cross leather-with-vinyl-trim			●
Steering Wheel—Leather-wrapped		●	●
Undercoating		●	●
Wheel Covers—Wire (set of four)		●	●

ADDITIONAL OPTIONS (Available only with corresponding Customer-PreferredSM Packages.)

	A	B	C
Automatic Temperature Control Air Conditioning	E	E	E
Brakes—Four-wheel antilock disc	E	E	E
Electronic Instrument Cluster		E	E
Overhead Console/Electronic Vehicle Information Center		E	E
Power Antenna/Automatic Deck Lid Pulldown		E	E
Power Sunroof—Glass	E	E	E
Radio—Infinity RS sound system		E	E
Radio—Graphic equalizer/cassette tape player	E	P	P
Remote Keyless Entry/Security Alarm	E	E	E
Suspension—Automatic air, front and rear		E	E
Tire—Spare: conventional	E	E	E
Wheel Covers—Wire, 14-inch (set of four)	E	P	P
Wheels—Cast aluminum, 14-inch (set of four)	E	E	E

● = Included in Customer-PreferredSM Package. E = Extra cost. Available only when corresponding Customer-PreferredSM Package is ordered. P = Included in corresponding Customer-PreferredSM Package listed above.

Dimensions

	New Yorker Salon	New Yorker Fifth Avenue
Exterior		
Overall Length (in.)	193.6	198.6
Wheelbase (in.)	104.5	109.6
Overall Height (in.)	53.6	55.1
Track—Front (in.)	57.6	57.6
Track—Rear (in.)	57.6	57.6
Overall Width (in.)	68.9	68.9
Turning Diameter (ft)	40.0	41.5
Interior (Front/Rear)		
Head Room (in.)	38.3/37.8	38.3/37.8
Leg Room (in.)	42.2/38.8	42.0/43.7
Hip Room (in.)	51.2/51.7	51.2/51.9
Shoulder Room (in.)	56.0/55.7	56.4/55.6
Trunk/Cargo Volume (cu ft)	16.5	16.5

Technical Specifications

	NEW YORKER SALON 4-DOOR SEDAN	NEW YORKER FIFTH AVENUE 4-DOOR SEDAN
TRANSAXLE		
Type	4-speed computer controlled automatic w/overdrive	4-speed computer controlled automatic w/overdrive
Overall Top Gear Ratio	2.52	2.52
CHASSIS/BODY		
Construction	Unibody	Unibody
Front Suspension	Gas-charged position-sensitive struts, antisway bar, and coil springs	Gas-charged position-sensitive struts, antisway bar, and coil springs
Rear Suspension	Trailing beam axle, coil springs, gas- charged shocks, and antisway bar	Trailing beam axle, coil springs, gas- charged shocks, antisway bar, and automatic load leveling and height control
Tires (set of four)	P195/75R14 steel-belted radial black sidewall	P195/75R14 steel-belted radial white sidewall
Wheels and Covers (set of four)	14" Premium wheel covers	14" Luxury wheel covers
Steering System	Power-assisted rack-and-pinion 18.0:1 ratio	Power-assisted rack-and-pinion 18.0:1 ratio
Braking System	Power-assisted dual hydraulic split diagonally, vented front disc, self-adjusting rear drum	Power-assisted dual hydraulic split diagonally, vented front disc, self-adjusting rear drum

	NEW YORKER SALON 4-DOOR SEDAN	NEW YORKER FIFTH AVENUE 4-DOOR SEDAN
Fuel Capacity (gal)	16	16
Curb Weight (lb) est.	3,346	3,425
ENGINE		
Type (Standard)	3.3L V6 sequential multipoint electronic fuel injection	3.3L V6 sequential multipoint electronic fuel injection
Bore x Stroke (in.)	3.66 x 3.19	3.66 x 3.19
Displacement (cu in./liters)	201/3.3	201/3.3
Power (hp @ rpm)	147 @ 4,800	147 @ 4,800
Torque (lb-ft @ rpm)	183 @ 3,600	183 @ 3,600
Compression Ratio	8.9:1	8.9:1
Fuel Type	Unleaded Regular	Unleaded Regular
ENGINE		
Type (Optional)	—	3.8L V6 sequential multipoint electronic fuel injection
Bore x Stroke (in.)	—	3.78 x 3.43
Displacement (cu in./liters)	—	230/3.8
Power (hp @ rpm)	—	150 @ 4,400
Torque (lb-ft @ rpm)	—	203 @ 3,200
Compression Ratio	—	9:1
Fuel Type	—	Unleaded Regular

Certain models, packages and options are subject to specific restrictions, requirements or late availability. See your dealer for the latest ordering information.

STANDARD SAFETY FEATURES

Air bag, driver-side • Antitheft ignition and steering column lock • Backup lights • Brake fluid pressure loss warning light (also serves as indicator when parking brake is applied) • Center high-mounted supplemental stoplight • Child-protection rear door locks • Combination lap/shoulder belts for driver and all outboard passengers; lap belts for center locations • Double ball-joint rearview mirror mount • Dual braking system with separate brake fluid reservoirs in the master cylinder • Dual throttle return springs • Electric windshield washers and wipers • Energy-absorbing front seatbacks • Energy-absorbing front and rear bumper system • Energy-absorbing instrument panel • Energy-absorbing steering wheel • Fade-resistant front disc brakes • Fasten seat belt reminder • Front seat head restraints • Front-wheel drive • Glare reduction measures for instrument panel, steering wheel, and windshield wipers • Hazard warning flasher system • Headlight and wiper circuit breakers with automatic reset • Inside and outside rearview mirrors • Inside hood release • Interlocking door latches • Key left in ignition warning • Non-override rear door locks • Recessed inside door release handles • Reinforced windshield header and roof • Resilient window crank knobs, if applicable • Safety-Rim wheels • Shatter-resistant glass • Side marker lights and reflectors • Turn signals with lane-change feature.

CHRYSLER CORPORATION LIMITED WARRANTY PROTECTION

Every Chrysler Corporation vehicle comes with the protection of a Chrysler Corporation Limited Warranty. See your dealer for details.

CHRYSLER PURCHASE ASSISTANCE PROGRAM FOR THE PHYSICALLY CHALLENGED

Cash reimbursements of up to \$500 are available for qualified adaptive driving devices on 1992 Chrysler Corporation cars and trucks. For further information, contact your dealer or the Physically Challenged Resource Center at 1-800-255-9877.



MOPAR parts are engineered by Chrysler Corporation for use in your new Chrysler. When replacement is necessary, be sure to specify MOPAR parts. Used by professional automotive technicians worldwide.

CONSIDER LEASING

More consumers are considering leasing as an alternative to buying. Leasing a new Chrysler usually involves a small security deposit and a first month's lease payment. Monthly payments frequently are less than financing a new car purchase. Ask your dealer for details.



OKI® Telecom manufactures, services and is the warrantor of the Visorphone® and Portable phone products that are available on selected Chrysler Corporation vehicles. See your dealer for a copy of the limited warranties. Restrictions apply.

*Visorphone is a registered trademark of Cartell, Inc.



MAKING THE BEST EVEN MORE AFFORDABLE

Chrysler Credit offers a variety of finance programs that can help make your new New Yorker even more affordable. These flexible finance and lease programs can be tailored to suit your budget and your lifestyle. They include Advantage: Gold Key Lease, Gold Key Plus, College Graduate Plans, Retail Financing, and other special payment plans. Ask your salesperson for details.

All product illustrations and specifications are based upon current information at the time of publication approval. Although descriptions are believed correct, complete accuracy cannot be guaranteed. Chrysler Corporation reserves the right to make changes from time to time, without notice or obligation, in prices, specifications, colors and materials, and to change or discontinue models. See your dealer for the latest information.

Chrysler and MOPAR are registered trademarks, and New Yorker is a trademark of Chrysler Corporation.

Buckle up for safety.

ADVANTAGE: CHRYSLER



1 9 9 2
CHRYSLER